

AV-R-10 and AV-D-10 AIR VELOCITY TRANSMITTERS

PRODUCT DATA



GENERAL

The AV-D-10 Duct-Mounted and AV-R-10 Remote Air Velocity Transmitters are designed for highly accurate measurement of air velocity up to 20 m/s (2000 ft/min). They feature a thin-film sensor which operates according to the hot-film anemometer principle. The mounting flange permits a continuous adjustment of immersion depth at the duct. The output signal, measuring range, and response time can be adjusted by shifting a jumper on the circuit board.

The AV-R-10 and AV-D-10 air velocity transmitters are ideal for accurate and reliable measurement in building automation and ventilation applications. For special applications, please contact Honeywell.

The transmitters are suitable for use in all systems capable of accepting 0...10 VDC inputs.

DIMENSIONS

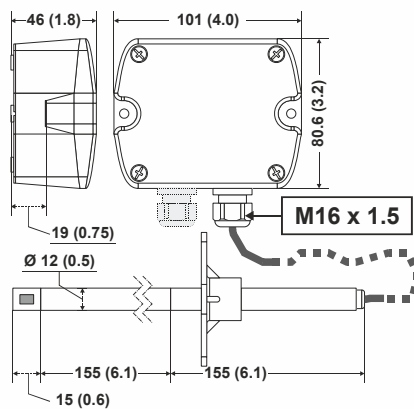


Fig. 1. Dimensions in mm (inches)

FEATURES

- Highly accurate measurement of air velocities of up to 20 m/s (2000 ft/min).
- Mounting flange permits continuous adjustment of immersion depth at duct.
- Response time (t_{90}), measuring range, and output signal (0...10 V / 4...20 mA) can all be independently reset by shifting jumpers on the circuit board.

SPECIFICATION

Measuring range

Working range
 0...10 m/s (0...2000 ft/min)
 0...15 m/s (0...3000 ft/min)
 0...20 m/s (0...4000 ft/min)

Accuracy
 ± 0.2 m/s + 3% of m.v.) at 20 °C (68 °F), 45% r.H., 1013 hPa

Response time T_{90}
 typ. 4 s (default) or
 1 s (constant temperature)

General

Power supply
 24 VAC/DC $\pm 20\%$ (SELV)

Output
 0...10 V, 4...20 mA (default);
 -1 mA $< I_L < 1$ mA
 $R_L < 500 \Omega$ (linear, 3 wires)

Current consumption
 max. 170 mA (AC),
 max. 70 mA (DC)

Electrical connection
 screw terminals, max. 1.5 mm² (AWG 16)

Cable gland
 M16x1.5

Approvals
 CE

Housing material
 Polycarbonate, UL94V-0 approved

Protection class
 Enclosure IP65 / NEMA 4,
 remote probe IP20

Storage temperature
 -30...+60 °C (-22...+140 °F)

Working temp. probe
 -25...+50 °C (-13...+122 °F)

Working temp. electronics
 -10...+50 °C (+14...+122 °F)

Working humidity
 5...95% r.H. (non-condensing)

Dimensions

see Fig. 1 on page 1

WIRING

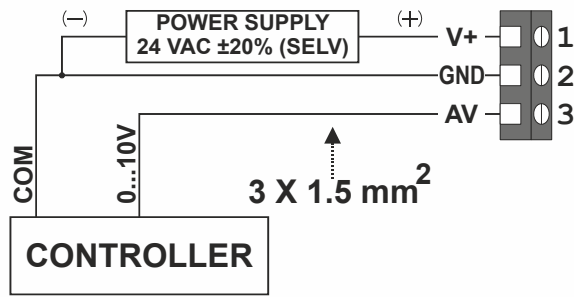


Fig. 2. Wiring

NOTE: Use shielded wiring in areas with high EMI. Keep 15 cm (5.9") minimum distance between sensor lines and 230 VAC power lines.

SETTINGS

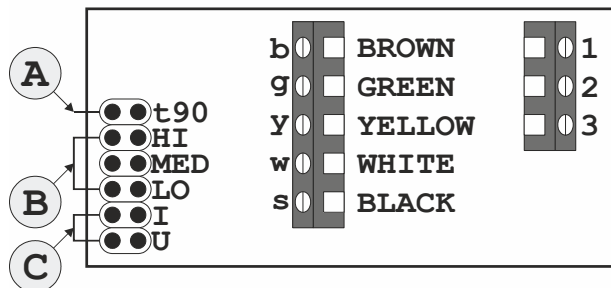


Fig. 3. Jumpers (A = response time; B = measuring range; C = output signal)

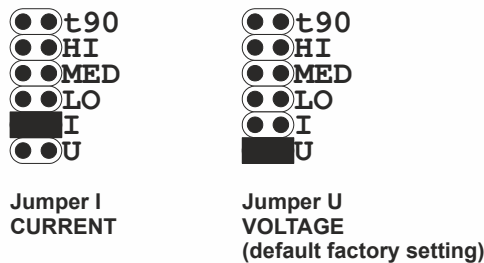


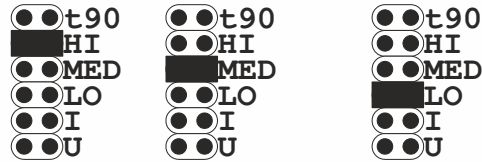
Fig. 4. Selection of output signal



Jumper t90
SLOW (4 sec)
(default factory setting)

No jumper
FAST (1 sec)

Fig. 5. Selection of response time



Jumper HI
0...20 m/s
(0...4000 ft/min)

Jumper MED
0...15 m/s
(0...3000 ft/min)

Jumper LO
0...10 m/s
(0...2000 ft/min)
(factory default setting)

Fig. 6. Selection of measuring range

MOUNTING

NOTE: The accurate and reliable determination of air velocity depends on the correct positioning of the probe. Accurate measurements are possible only if the probe is installed in a location with approximately laminar flow. In the case of duct mounting, suitable inlet and outlet paths must be present. Extreme mechanical and unspecified strain and corrosive environments and condensation must be avoided. See also AV-R-10 and AV-D-10 – Mounting Instructions (MU1B-0620GE51).

Honeywell

Manufactured for and on behalf of the Environmental & Energy Solutions Division of Honeywell Technologies Sàrl, Rolle, Z.A. La Pièce 16, Switzerland by its Authorized Representative:

Automation and Control Solutions
Honeywell GmbH
Böblinger Strasse 17
71101 Schönaich, Germany
Phone +49 (0) 7031 637 01
Fax +49 (0) 7031 637 740
<http://ecc.emea.honeywell.com>

EN0B-0749GE51 R0816

Subject to change without notice